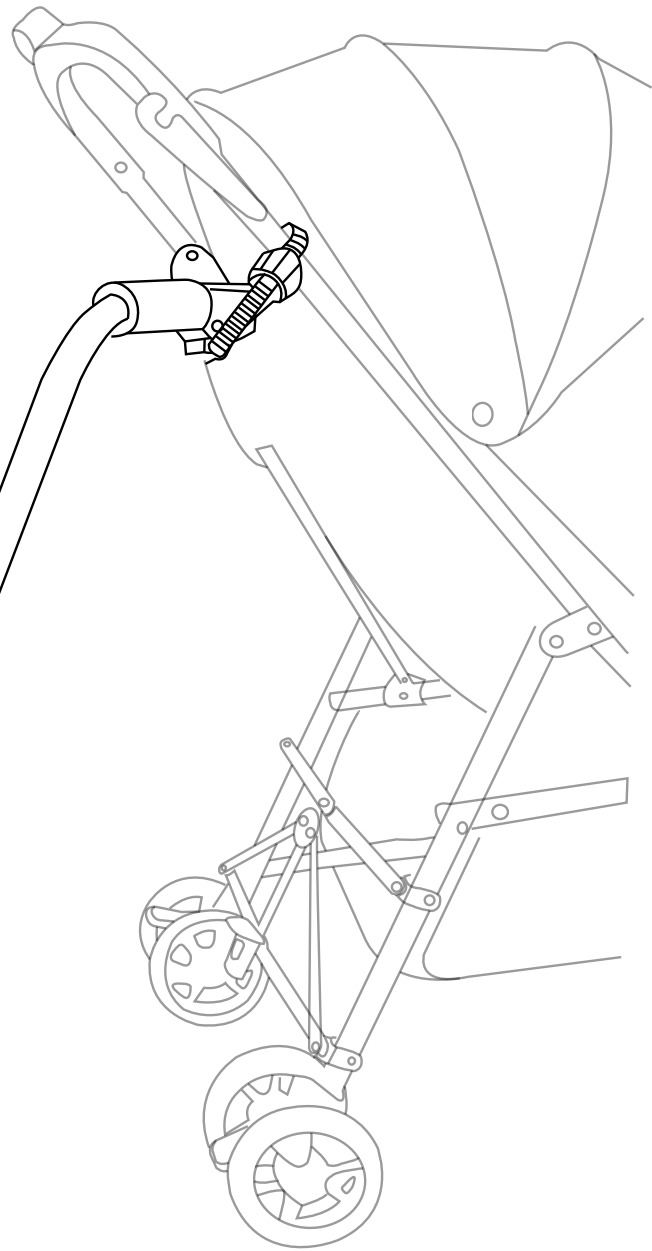
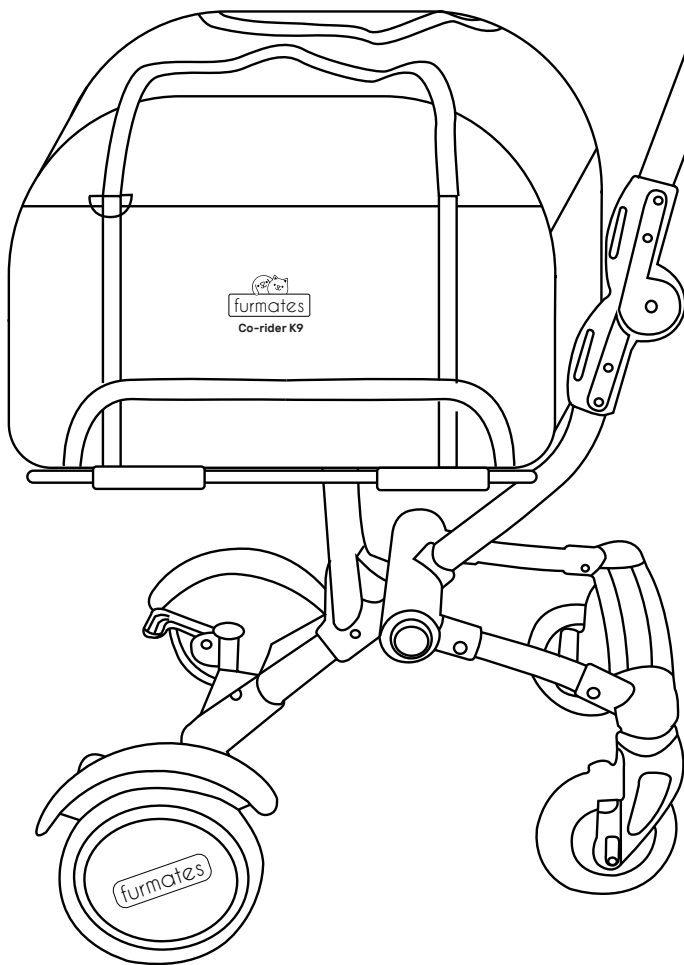


furmates

Co-rider K9

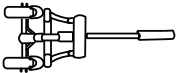

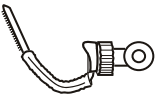





scan me



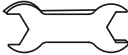
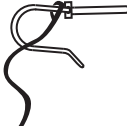


USER MANUAL

PARTS

| visual | parts | qty. |
|---|-------------------------------------|------|
|  | A. Chassis (with M6 screw & nut) | 1 |
|  | B. Pet bag | 1 |
|  | C. Connector | 1 |
|  | D. Base Rack | 1 |
|  | E. Back wheel | 2 |
|  | F. Mud Guard | 2 |

HARDWARE

| visual | parts | qty. |
|--|---|------|
|  | G. M4 Screw | 2 |
|  | H. Multi tool | 1 |
|  | I. Open ended wrench | 1 |
|  | J. Quick Release Pin with elastic retainer | 1 |

IMPORTANT INSTRUCTIONS

- Please read the instruction sheet carefully before you start assembly and keep for future reference.
- Remove all components from the carton and ensure that no parts are missing. Please look at the parts list for guidance. In case of missing parts, contact your dealer directly or email us at support@furmates.com.au.
- This ride-on is built for pets with a **maximum weight of 8kg**.
- This ride-on is developed for use with most prams, strollers and buggies. It may not be suitable for those with a chassis that doesn't allow for attachment of ride-ons. Please check with your dealer or manufacturer to ensure that your model is compatible for use with this ride-on.

CARE INSTRUCTIONS



Hand Wash Gentle Warm



Do Not Use Bleach



Dry Flat

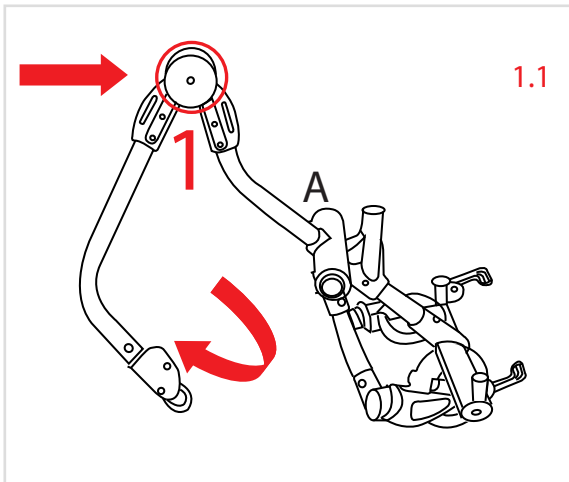


Do Not Iron



Do Not Dry Clean

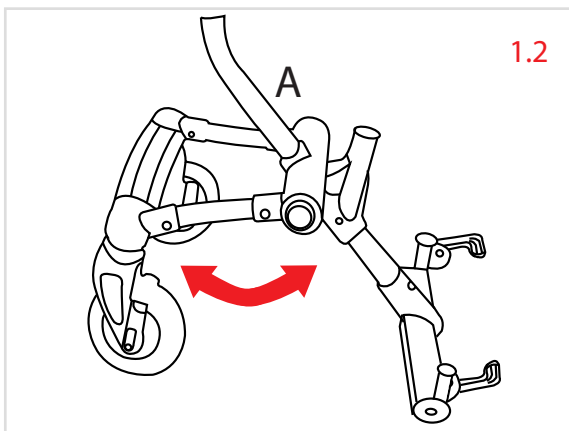
STEP 1 UNFOLDING THE CO-RIDER K9



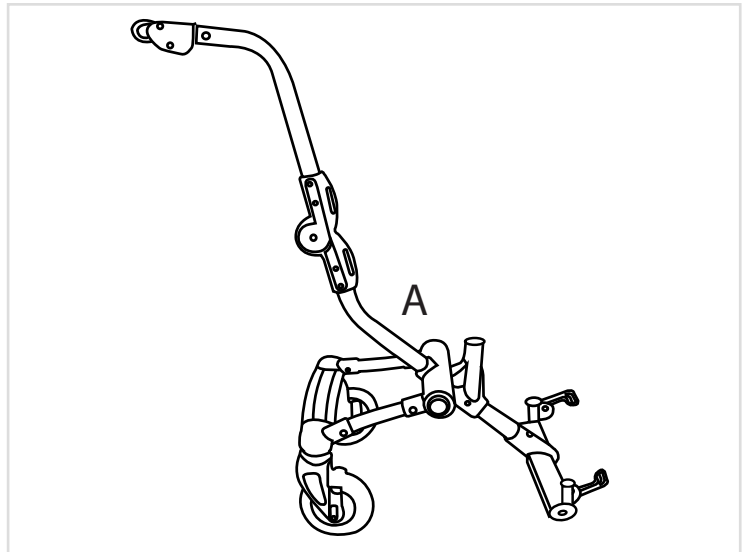
1.1

1.1 Press button (1) and lift the rider arm upward until it is fully extended and engaged.

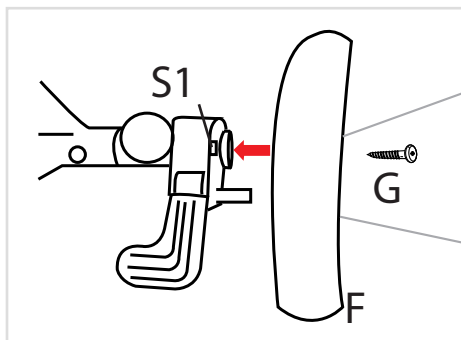
1.2 Pull the two lower sections apart in opposite directions until fully opened and you hear the centre shaft click into the locked position.



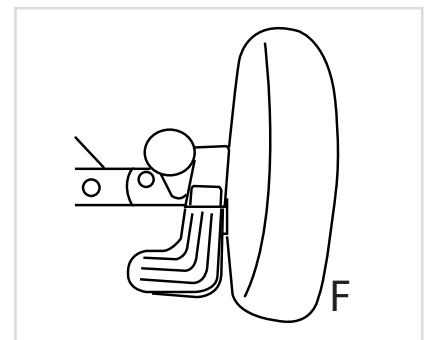
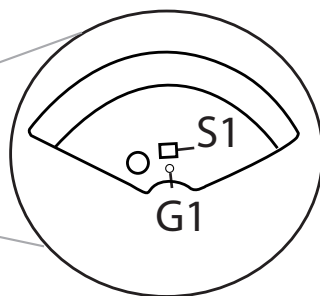
1.2



STEP 2 MUD GUARD INSTALLATION



Attaching the Mud Guard

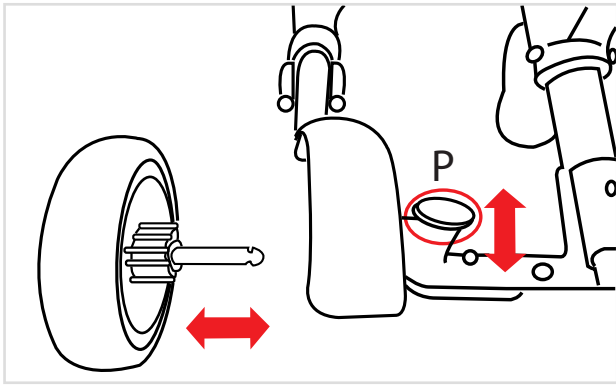


Installed Mud Guard

Attach the Mud Guard (F) on to the wheel housing so that it aligns with the square hole (S1) and the flat side facing inward.

Insert one M4 screw (G) into the hole (G1) and secure it. Repeat this procedure for the second Mud Guard on the other side. Test that both Mud Guards are securely fastened.

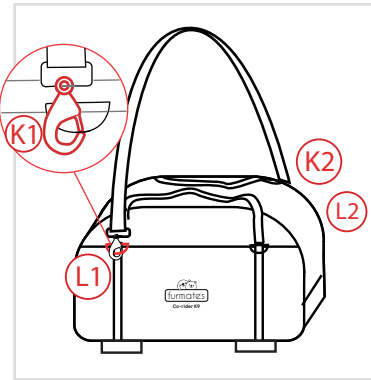
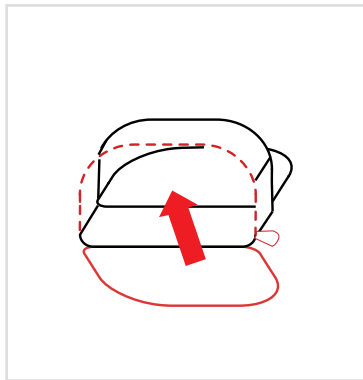
STEP 3 REAR WHEEL : INSTALLATION/REMOVAL



For easy installation/removal,

- lift Pin (P)
- push wheel axle inside/pull wheel axle outside
- release Pin (P)
- test that it is securely engaged.

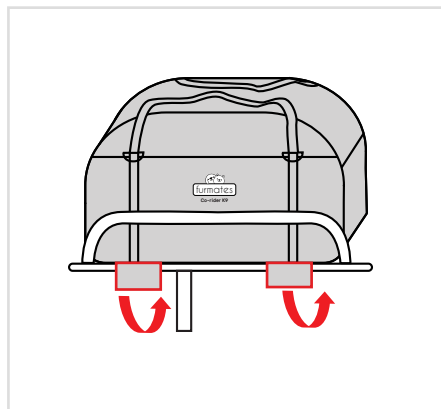
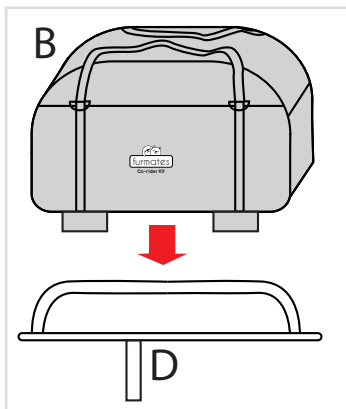
STEP 4 PET CARRIER SETUP



1. Unfold the carrier bag. Using each side zip, close the sides of the carrier.

2. The carrier is ready for use with the included straps. To attach the longer straps provided, connect the locking hook (K1) to the ring (L1). Repeat for K2 and L2 on the other side. Ensure all attachments are secure.

STEP 5 ATTACHING THE CARRIER TO THE RACK

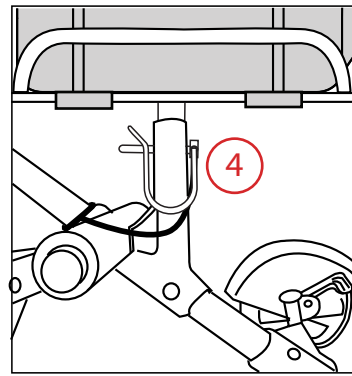
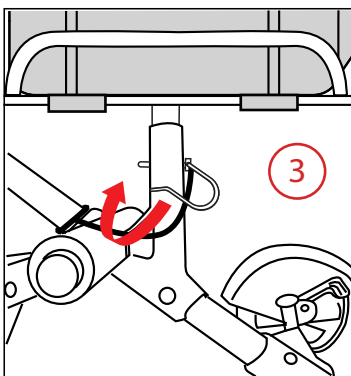
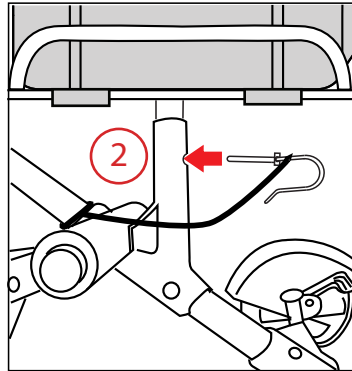
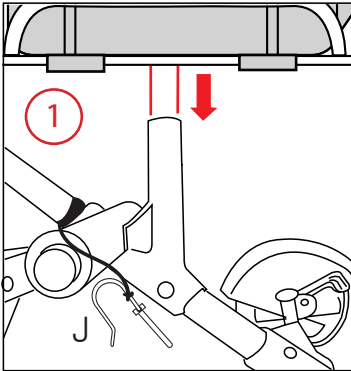


Place the carrier bag on top of the rack so that it aligns perfectly.

Pull each of the velcro straps over the rack tube as indicated and secure to the underside of the bag. Repeat for the other side.

Once done, pull upwards on the bag to ensure it is securely attached to the rack.

STEP 6 RACK TUBE ASSEMBLY

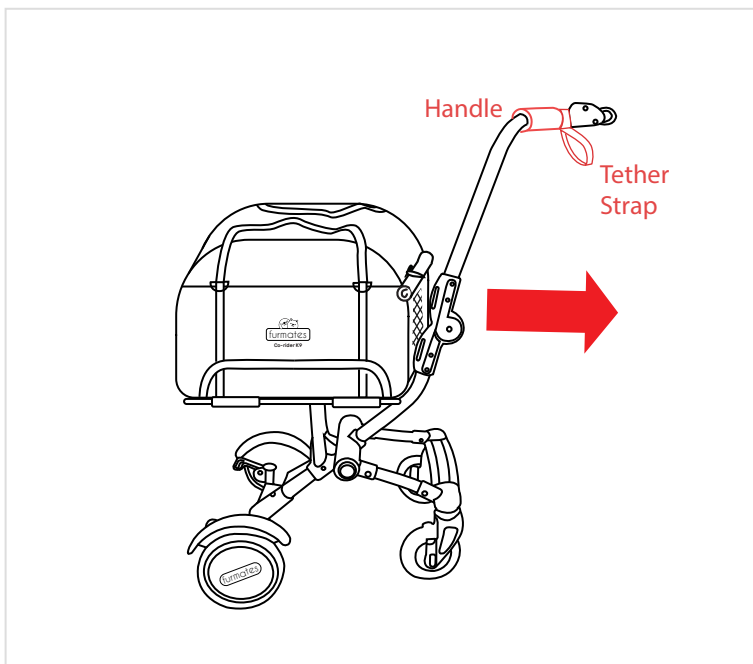


1. Insert the rack tube, into the base tube aligning the holes.

2. Secure the rack tube within the base tube by inserting the Quick Release pin (J) through both tubes as shown.

3. Turn the Quick Release locking ring as indicated and push firmly to lock.

4. Test to make sure it is fully engaged.



Ensure all connections are tight and secure.

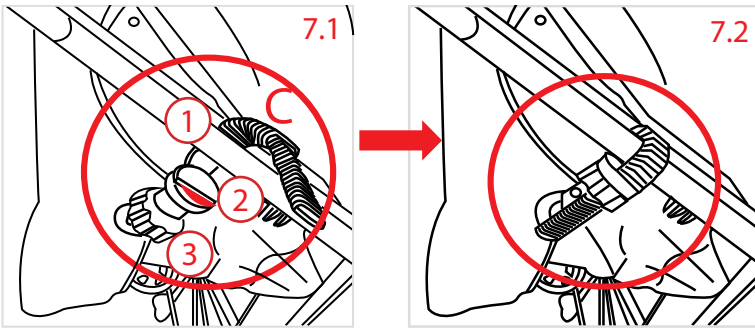
The co-rider K9 is now ready to use pulling in the direction indicated.

When walking beside the co-rider K9 be sure to hold the stroller handle firmly.

When using in standalone mode, always hold the handle and use the tether strap when your pet is in the carrier.

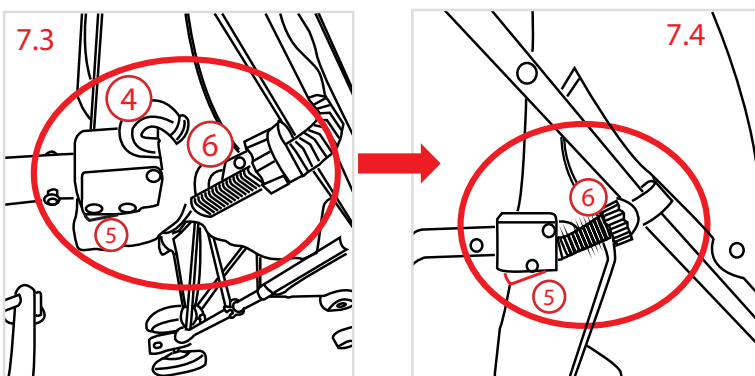
Avoid pulling backwards.

STEP 7 CONNECTING CO-RIDER K9 TO THE BABY CARRIAGE



7.1 Wrap the flexible strap of the Connector (C) around the stroller frame tubing (1).
Insert it through the plastic slot (2) in the screw housing.

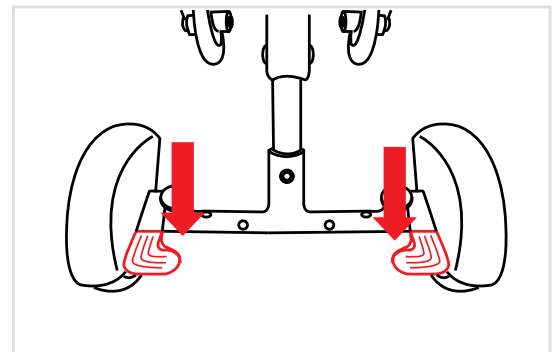
7.2 Turn the knob (3) to tighten until it is fully secured.



7.3 Press the button (5) on the underside of the rider arm casing to release hook (4).

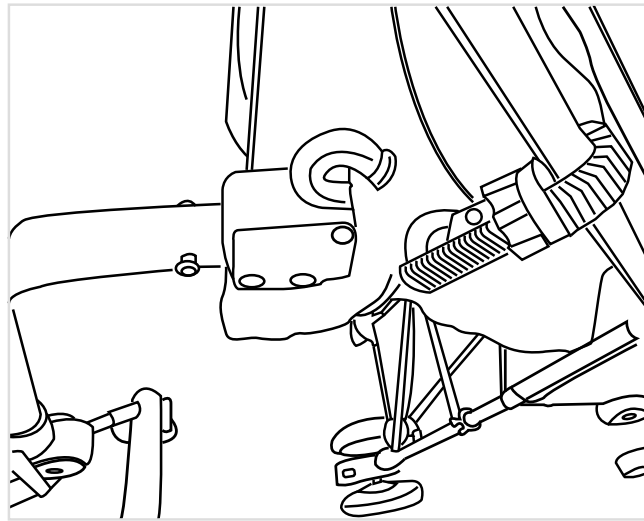
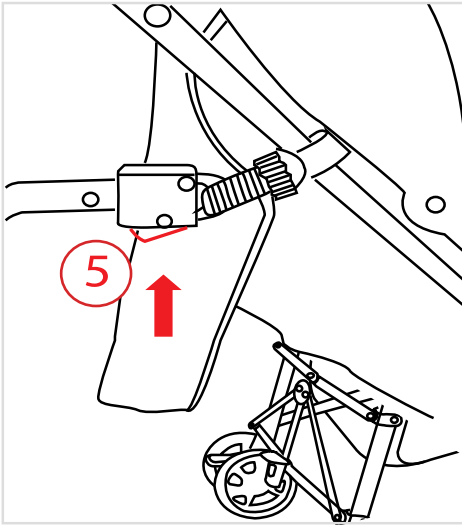
7.4 Insert the hook through the connector ring (6) and secure back into the casing (you may need to press the release button (5) to do this).
Follow Step 7.2 to tighten.

This is how the co-rider K9 should appear once connected.



To apply brakes, press down on each of the pedal levers.
Lift each gently to release.

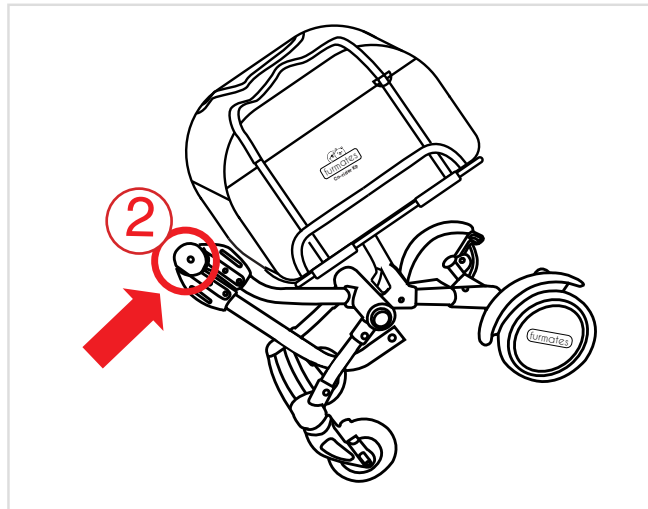
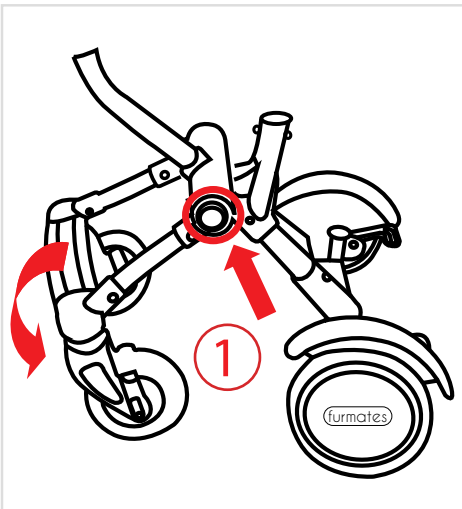
DISCONNECTING THE CO-RIDER K9



Press button (5) and pull hook to release.

Disengage the hook from the ring to separate your Co-Rider from the frame.

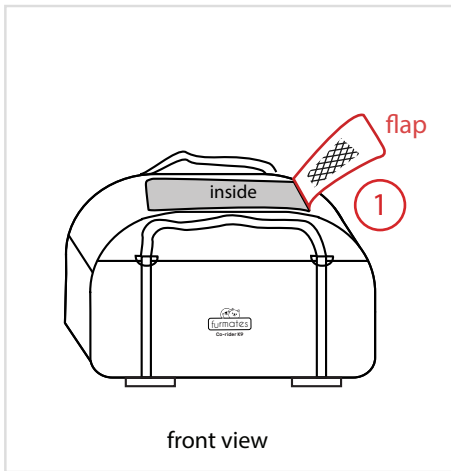
(Leave the connector attached to the frame for future easy connection and access)



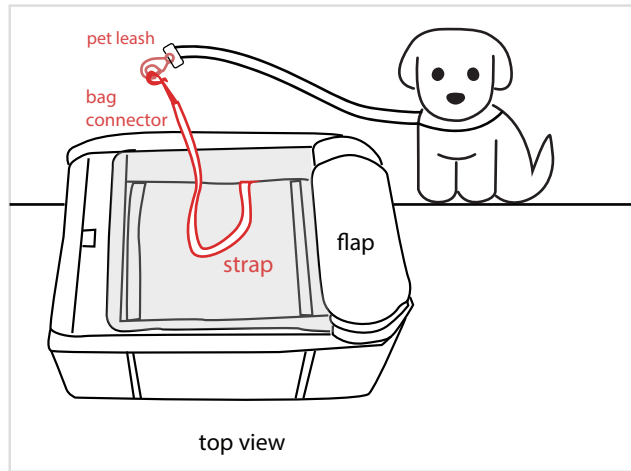
Press the lower button (1) and push the front wheel downwards.

Press the main upper button (2) and push the handle down.

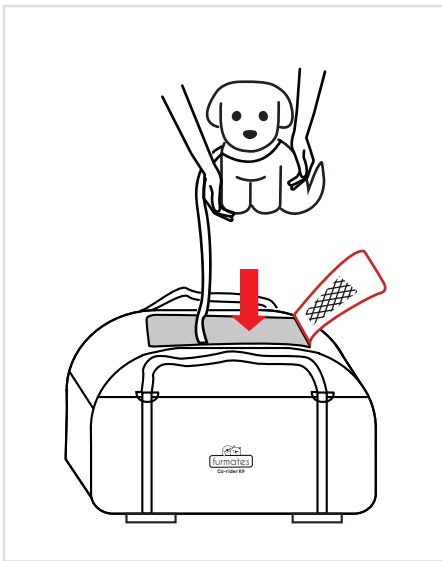
SECURING YOUR PET



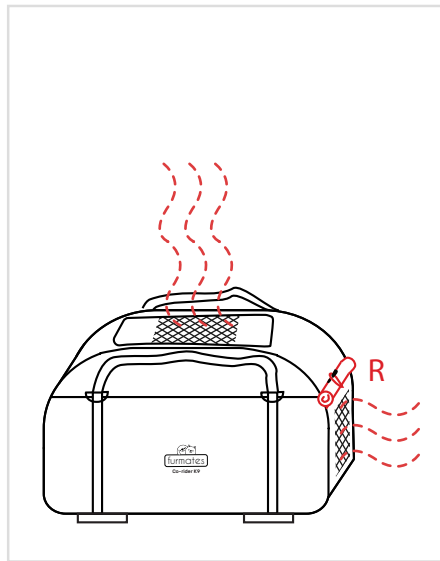
Unzip the upper flap of the bag.



Pull the strap (with connector) out of the bag and connect it to the leash of your pet.



Place your pet into the carrier bag, carefully, from the top.



Zip the upper flap of the carrier bag. The air ventilation mesh at the top will allow for air flow to help your pet breathe comfortably. For additional/optional ventilation, roll the side flap (R) upward and lock into position.

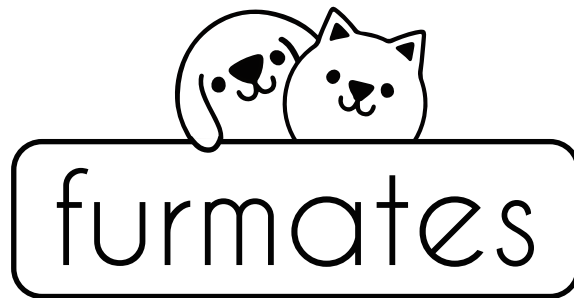
Reverse this process to help your pet exit the carrier bag.

SAFETY INSTRUCTIONS

- Do not use the Co-rider K9 unless your pet is comfortable and secured completely.
- The Co-rider K9 connector is meant to be connected to the frame at the rear side of the pram.
- Your pet must alight before reaching pavement edges, stairs, steep paths, tight corners and/or whilst manoeuvring backwards.
- Make sure the Co-rider K9 is correctly connected and secured to the pram before use.
- Avoid operating the Co-rider K9 in a backward direction.
- The Co-rider K9 may not be suitable for all prams. Please consult your dealer before purchase or contact us at support@furmates.com.au.
- Ensure all screws and mountings of the product are sitting firmly and all parts are connected properly. Never make alterations to the Co-rider K9 to avoid compromising its safety.
- The Co-rider K9 is not suitable for use on snow or soft surfaces.
- Clean all the parts and wheels from time to time with warm soapy water. Dry thoroughly.
- Please keep the Co-rider K9 packaging materials away from pets and children.
- In the event of any possible damage to the Co-rider K9, only original replacement parts from the manufacturer must be used for repair.
- Keep the instruction manual carefully for future reference and any possible subsequent users.

WARNING

- The Co-rider K9 is not a toy. It is not suitable for children.
 - If this product is connected to a stroller/pram, it can only be used with a pet when there is a child simultaneously sitting in the pram or stroller. The handles of the pram/stroller must always be held tightly with both hands by an adult when this product is in use.
 - The Co-rider K9 must not be used if you go jogging or skating with the pram.
 - The Co-rider K9 is designed for pets with a maximum weight of 8kg.
 - In order to guarantee the safety and functionality of this device, avoid any overloading. Under no circumstances, can it be used for transporting additional items or occupants.
- * Do Not operate the Co-rider K9 moving in the backward direction.



For further information
visit www.furmates.com.au