

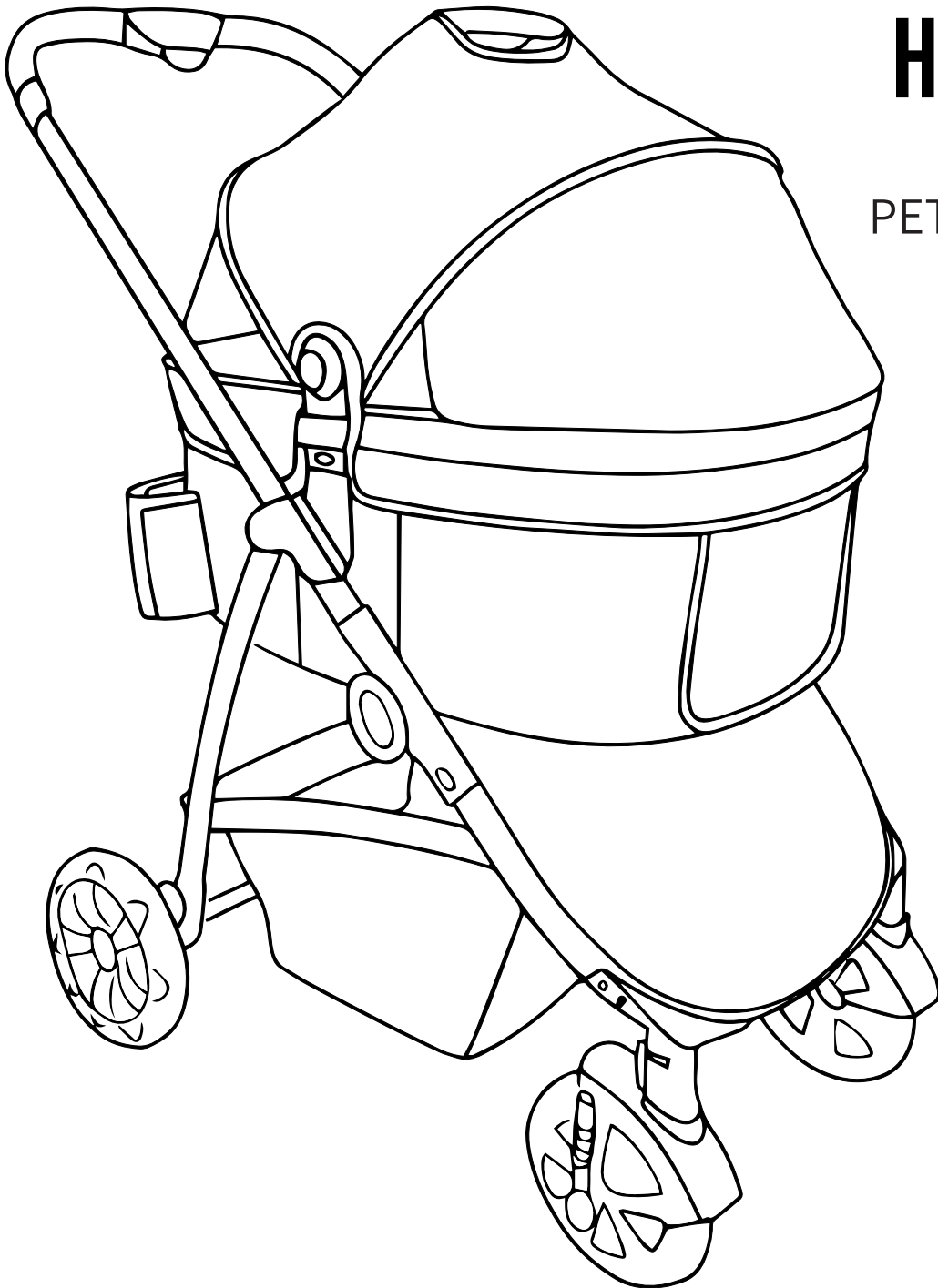
USER MANUAL



furmates

HAULER

PET MOBILITY
SYSTEM



scan me

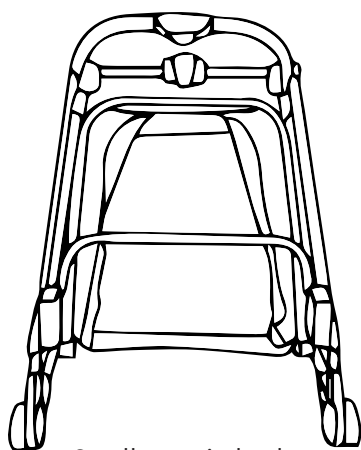


IMPORTANT! KEEP FOR FUTURE REFERENCE

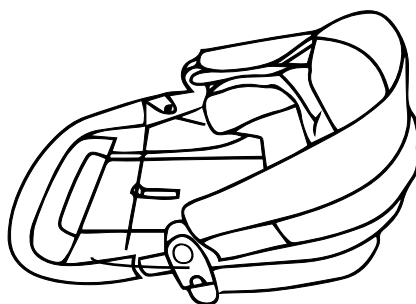
SPECIFICATIONS

- **PLEASE NOTE:** This stroller is specifically designed for use with pets only! NEVER use with babies or children.
- Follow the Manufacturer's instructions.
- The Hauler Pet stroller is suitable for use with pets up to a maximum weight 25kg.
- Make sure children/ pets are clear of the Hauler pet stroller when folding, unfolding or even adjusting the Hauler, failure to do so could result in injury.
- Your Hauler Carrier can be installed in the chassis facing in either direction.
- Attaching any additional load to your Hauler Pet Stroller chassis will negatively affect its stability.
- Always keep fingers away from moving parts when folding, unfolding, or adjusting your Hauler Pet stroller to prevent finger/body part entrapment or pinching.
- It is unsafe to use replacement parts other than those supplied or approved by the manufacturer
- Be aware of the risk of open fire and other sources of strong heat, such as electric bar fires, gas fires, heaters, etc., in the near vicinity of the Hauler Pet Stroller.
- Our convenient mesh basket provides up to 2 kg's of additional storage for whatever you need to take with you!
- Please make sure all parts are securely engaged and connected before using.
- Contact at info@valiantbrands.com.au to obtain the most up to date information.

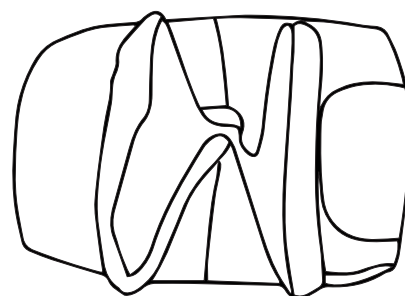
PARTS



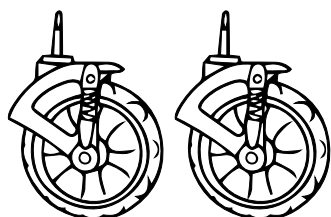
Stroller main body



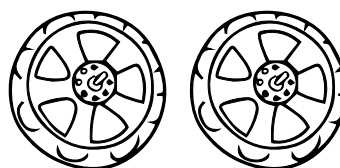
Carry cot



Inner liner



Front wheels x 2



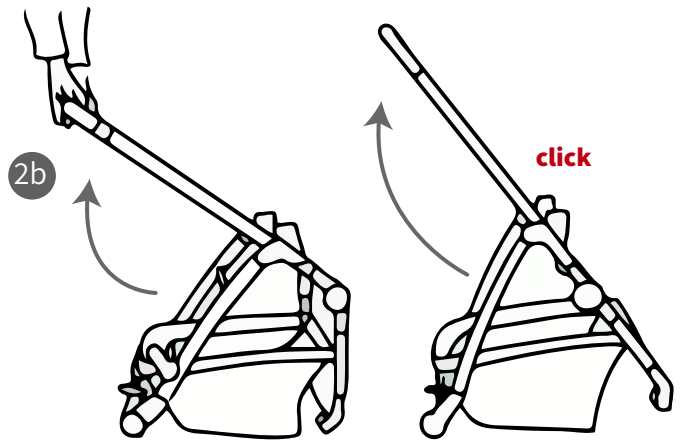
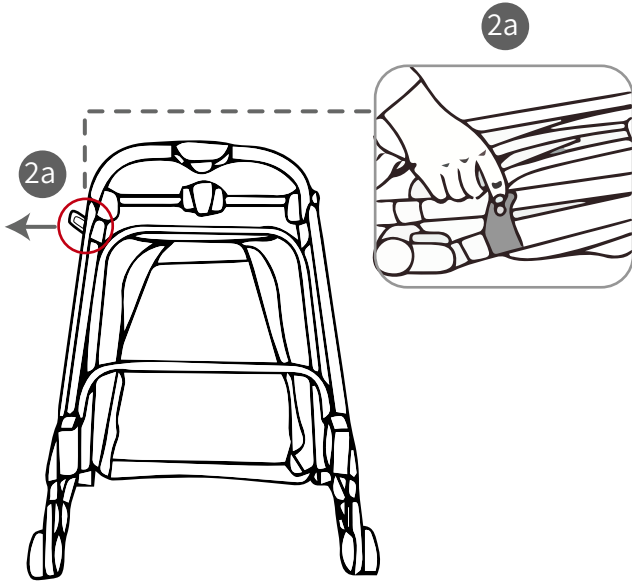
Rear wheels x 2

ASSEMBLY INSTRUCTIONS

1. Place the frame on a flat and safe place. Put cardboard on the floor so as not to scratch the floor.

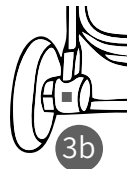
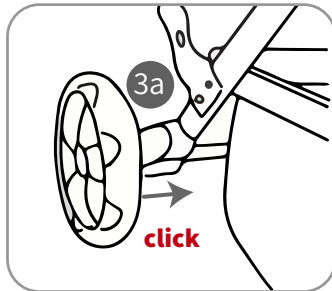
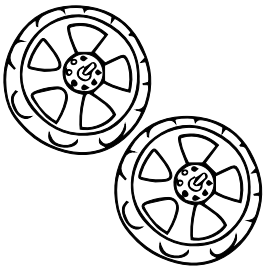
2. Push the folding lock away from the frame (2a) until it clears the locking pin and pull up on the handle bar. Continue opening the frame (2b) until the side locks engage with an audible "click".

Always test that the frame is fully locked in the open position before use.



3. Assemble the front and rear wheels.

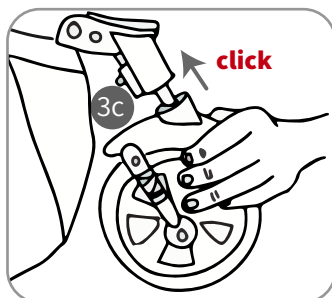
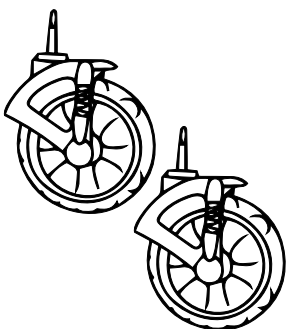
Rear wheels



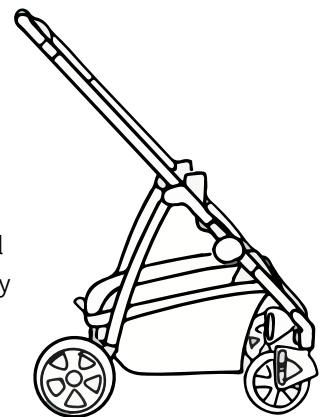
Align each wheel axle with the corresponding channel in each side of the rear frame axle (3a) and insert until you feel it engage. Pull outward slightly to test that it has fully engaged.

Each wheel can be removed by pressing the metal spring in the rear leg housing (3b) and simultaneously pulling the wheel outward.

Front wheels

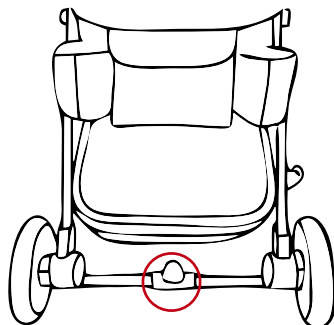


Align each wheel pin with the corresponding channel in each front leg (3c) and insert upward until you feel it engage. Pull down slightly to test that it has fully engaged.

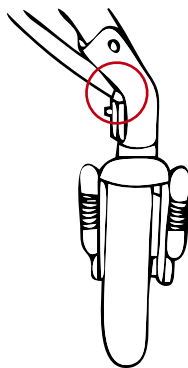


ASSEMBLY INSTRUCTIONS (continued)

4. Push the brake pedal down to engage the brake. Lift up the brake pedal to release.

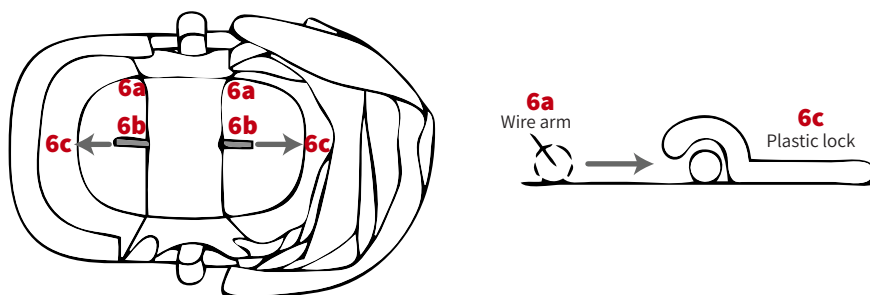


5. Each front wheel can be individually locked by aligning the wheel into the front facing position and pushing down on the swivel lock. Lift the lock to return the wheel to full 360 degree swivel movement.

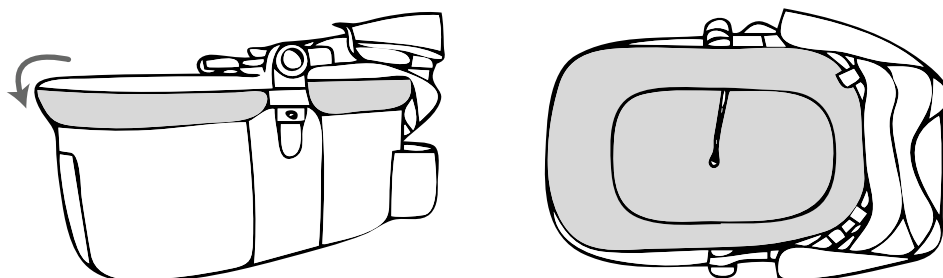


Erect the Carrier:

6. To raise the top section of the carrier, push/pull each of the two wire arms (6a) outward toward each end of the carrier. Secure each arm by pulling it using the attached fabric tab (6b) and locking it under the corresponding plastic lock in the carrier base (6c).



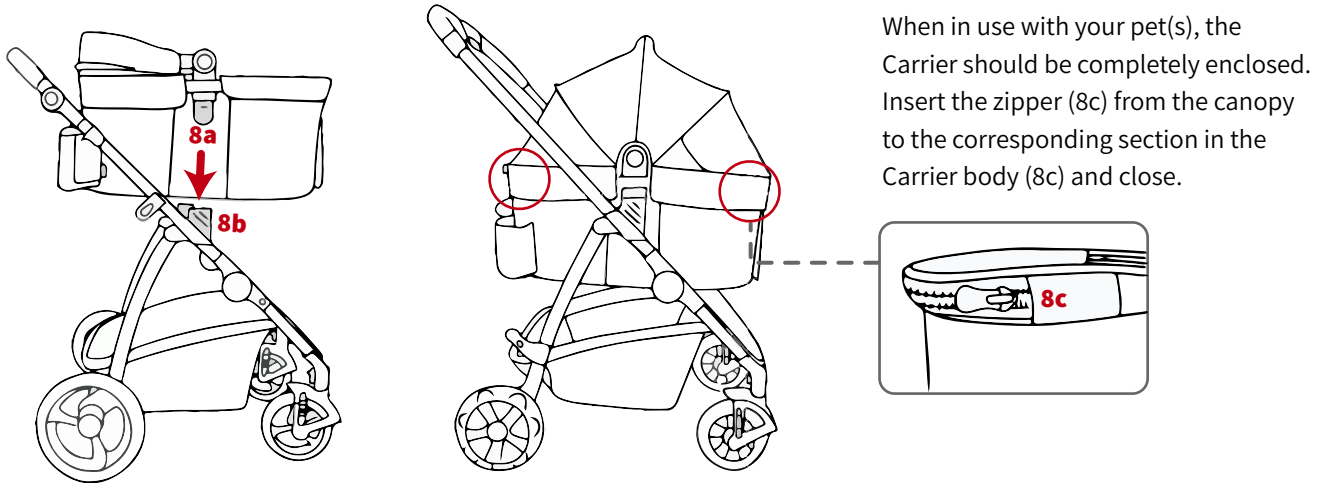
7. Install the inner liner.



ATTACHING THE CARRIER TO THE FRAME

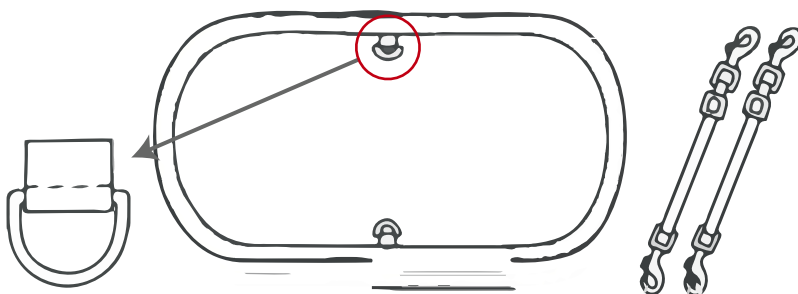
8. Align the "male" housings at either side of the Carrier (8a) with their "female" counterparts on the stroller frame (8b) and insert. The locks will emit an audible "click" when engaged.

NOTE: The Carrier can be installed facing in either direction.

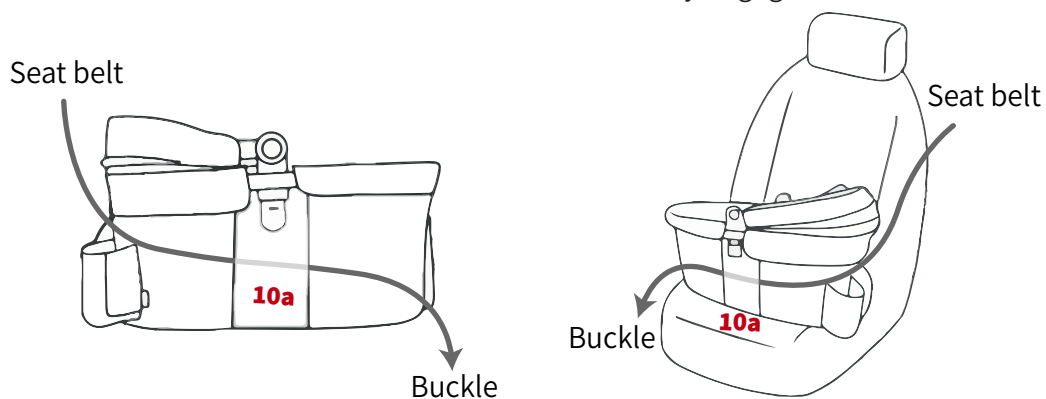


D-Ring

9. Optional safety leash for attaching up to 2 pets. Caution: Total weight up to 25kg.



10. Your Carrier can be removed and used in your vehicle. Pass the car seat belt through the fabric channel at either side of the carrier body (10a) (it can be installed facing in either direction) and insert into the buckle. Check that the seat belt has securely engaged.

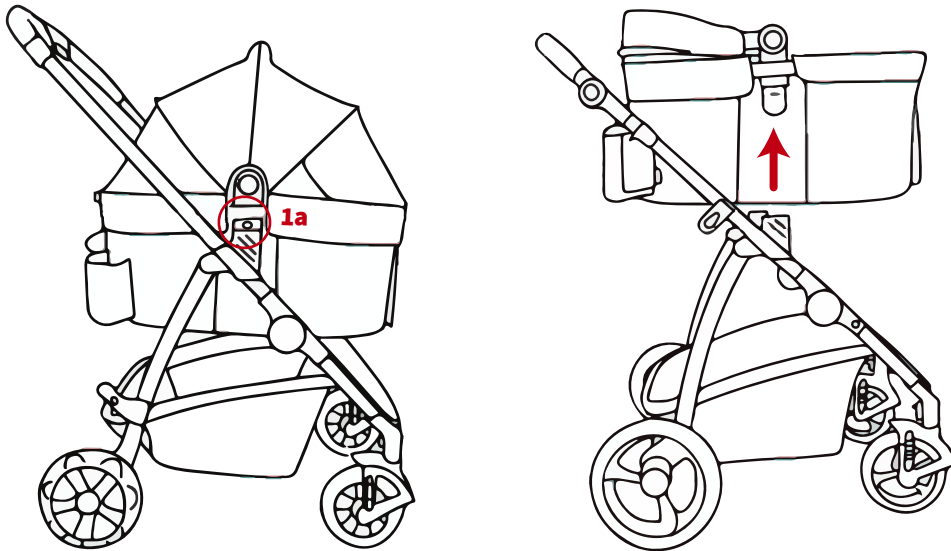


NOTE

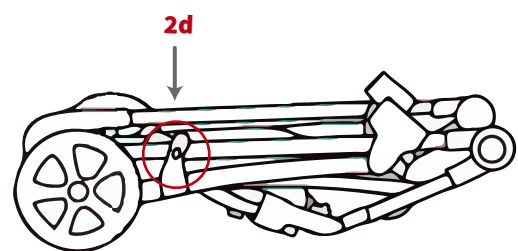
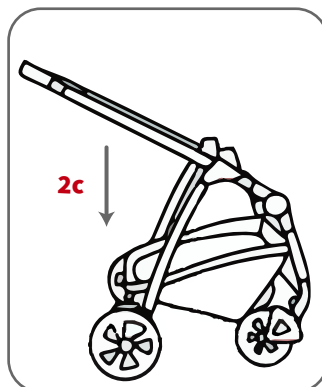
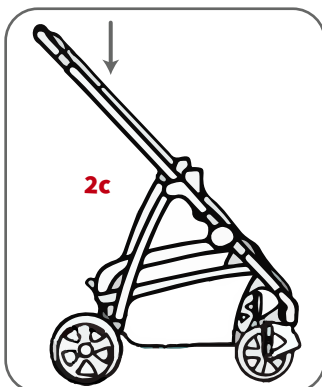
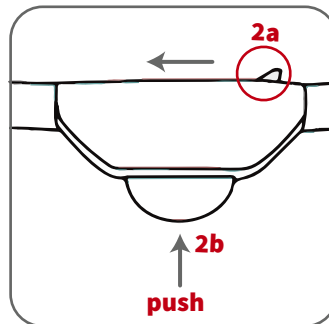
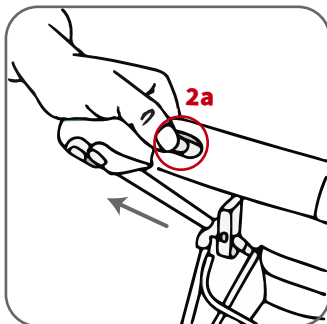
Your pet carrier system is designed to aid in the securing of your pet(s) in your vehicle - not to protect life.

FOLDING THE STROLLER

1. Remove the Carrier by simultaneously pressing the buttons at either side of the stroller (1a) while lifting the carrier upward.



2. Slide the safety lock (2a) in the middle of the handle to the left. Holding it in place, press the primary fold button (2b) to release the lock and move the handle downward/backward (2c). Continue folding down until the automatic frame lock engages (2d).



CARE AND MAINTENANCE

- This product has been designed and developed with safety, comfort and functionality in mind.
- Please take the time to read this manual carefully before using this product and keep it in a safe place for future reference.
- To ensure the long-lasting use of HAULER Pet Stroller, do not use solvents, abrasives or aggressive cleaning products. After each wash check the resistance of the fabric and the stitching. For washing of the fabric, carefully comply with instructions indicated on the label (listed below).



Hand Wash Gentle Warm



Do Not Use Bleach



Dry Flat



Do Not Iron



Do Not Dry Clean

SAFETY INSTRUCTIONS

- PLEASE READ AND UNDERSTAND ALL INSTRUCTIONS AND SAFETY WARNINGS PRIOR TO USING:
- ALWAYS CHECK THAT THE BRAKES ARE SECURELY ENGAGED BY MOVING THE STROLLER BACK AND FORTH.
- ALWAYS CHECK THAT THE CARRIER BAG AND CANOPY ARE SECURELY ATTACHED BEFORE USE.
- DO NOT USE HAULER PET STROLLER UNLESS YOUR PET IS COMFORTABLE AND SECURED COMPLETELY.
- WHEN USING THE STROLLER, ENSURE THAT YOUR PET IS CORRECTLY ATTACHED TO THE JUMP-OUT PREVENTION LEAD IN THE CARRIER AND ADJUST THE LENGTH SO YOUR PET CANNOT JUMP OUT.
- ALWAYS HOLD THE HANDLE TIGHTLY WHEN THE STROLLER IS IN USE. ENSURE TO LOCK THE REAR FOOT BRAKES WHEN YOU'VE STOPPED. DO NOT STOP THE STROLLER ON SLOPING ROADS/UNEVEN ROADS/ROUGH ROADS.
- NEVER LEAVE YOUR PET IN THE STROLLER UNATTENDED. THIS MAY RESULT IN AN ACCIDENT, SUCH AS THE STROLLER ROLLING AWAY, OR TIPPING OVER, OR YOUR PET MAY HAVE SUFFER HEAT STROKE OR BECOME DEHYDRATED. AVOID LEAVING YOUR PET IN THE CARRIER FOR AN EXTENDED TIME.
- THE HAULER PET STROLLER IS DESIGNED FOR PETS WITH A MAXIMUM WEIGHT OF 25 KG/ 55 LBS. THE MAXIMUM WEIGHT IN THE STROLLER BASKET IS UP TO 2 KG/ 4.4 LBS.
- YOUR PET MUST ALIGHT BEFORE REACHING PAVEMENT EDGES, STAIRS, STEEP PATHS, TIGHT CORNERS, AND/OR WHILST MANOEUVRING BACKWARD.
- ENSURE ALL SCREWS AND MOUNTINGS OF THE PRODUCT ARE FIRMLY ENGAGED AND ALL PARTS ARE CONNECTED PROPERLY.
- NEVER MAKE ALTERATIONS TO THE HAULER PET STROLLER TO AVOID COMPROMISING ITS SAFETY.
- CLEAN ALL THE PARTS AND WHEELS FROM TIME TO TIME WITH WARM SOAPY WATER. DRY THOROUGHLY.
- PLEASE KEEP THE HAULER PET STROLLER PACKAGING MATERIALS AWAY FROM PETS AND CHILDREN.

SAFETY INSTRUCTIONS (continued)

- IN THE EVENT OF ANY POSSIBLE DAMAGE TO THE HAULER PET STROLLER, ONLY ORIGINAL REPLACEMENT PARTS FROM THE MANUFACTURER MUST BE USED FOR REPAIR.
- KEEP THE INSTRUCTION MANUAL CAREFULLY FOR FUTURE REFERENCE AND ANY POSSIBLE SUBSEQUENT USERS.
- THE HAULER PET STROLLER IS NOT A TOY. IT IS NOT SUITABLE FOR CHILDREN.
- TO GUARANTEE THE SAFETY AND FUNCTIONALITY OF THIS DEVICE, AVOID ANY OVERLOADING.
- UNDER NO CIRCUMSTANCES, CAN THE HAULER BE USED FOR TRANSPORTING ADDITIONAL ITEMS OR OCCUPANTS.
- EXCESSIVE WEIGHT ON THE CARRY BAG MAY CAUSE HAZARDOUS CONDITIONS.
- DO NOT HANG ITEMS ON THE HANDLE OR PLACE ITEMS ON THE CANOPY. THIS MAY CAUSE THE STROLLER TO BECOME UNBALANCED AND TIP OVER.
- NEVER USE YOUR HAULER PET STROLLER ON STAIRS OR ESCALATORS.
- DO NOT LEAVE THE STROLLER IN THE CAR IN EXCESSIVE TEMPERATURE OR HEAT. AS PARTS MAY BECOME DEFORMED AND THE STROLLER MAY NOT FUNCTION PROPERLY.
- MAKE SURE TO DRY THE STROLLER OFF AFTER USE IN THE RAIN TO AVOID RUSTING AND MOULD.
- STOP USING THE STROLLER IMMEDIATELY, IF THERE IS ANY BREAKAGE.

